

RAPIDO™

Operating tables



Rapido is the ideal operating trolley for the busy day surgery unit. Lightweight and easy to use and clean, the Rapido reduces manual handling and improves efficiency in the operating theatre and ward. The open design ensures optimum surgical access and easy use of x-ray and other imaging equipment. A wide range of accessories are available to enable you to undertake a wide range of day surgery and minor surgical procedures. C-arm access is quick and easy with Rapido making it ideal for use in the Endoscopy department. The soft body conforming mattresses ensure patient comfort and are easily removed for cleaning.



RAPIDO Eye-ENT Operating Table is specially designed for ophthalmic - and ENT surgery. In this model table top adjustments have been moved to the foot end of the table, only head- and back sections are controlled from the head end.

Head- and back section adjustments are controlled from the head end of the table

The table's standard Ophthalmic Head Rest (18150) can be adjusted for height and angle using a handy joint mechanism.

A special feature on the Rapido Eye-ENT operating table is the angling in of the back section at the patient's shoulder. This design allows the operating surgeon and surgical team to work in optimal proximity to the operation site.

More space at operating area - Adjustments for height, leg section and Trendelenburg are all at the foot end of the table

The accessory rails at the shoulder allow for the effective use of auxiliary equipment.

The placement of adjustment controls provides ample space under the table for both the feet of the operating surgeon and any required auxiliary equipment, such as microscopes, suction devices and their foot-operated control switches, Mayo tables, etc.



The table's standard Ophthalmic Head Rest (18150) can be adjusted for height (range: +135...-0 mm above the mattress surface) and angle (range: +90°...-40°) using a handy joint mechanism.



The specially contoured Merivaara ENT Head Rest (18143) and standard Rapido Head Rest (18101) can also be used with the operating table. Adjustment angles +25°...-45°.



Optional head rests include the Special Head Rest for Ophthalmology (18151), whose double-joint mechanism allows for a wider adjustment range than the 18150 head rest -height: +265 ... -175 mm above the mattress surface; and angle: +90°...-60°.

A wide range of surgical procedures are now undertaken in Day Surgery. Fast and efficient Day Surgery eliminates the need for patients to stay in hospital overnight greatly reducing operating costs.

The Rapido is a patient trolley, operating table and recovery chair all in one unit. It eliminates the need for separate pieces of equipment saving space, reducing capital equipment and maintenance costs.

From Admission to Discharge the patient remains on the Rapido which reduces the risk of infection and ensures faster recovery times.

Surgical procedures

- Mobile Rapido table is easy to position in the OP-theatre
- Rapido is light to manoeuvre
- Standard OP-table accessories can be used with Rapido
- Easy access for local anaesthesia



OP-theatre



Pre-operative treatment

- Patient meets surgeon and/or nurse to define the needed treatment
- OP theatre not blocked-up at this point
- Normally for operations lasting 2 - 3 hours
- Patient has to be fit and healthy



Patient Ward



Recovery



Hospital benefits

- patient safety
- no patient transfers
- reduce purchasing costs
- increase economic efficiency
- when building new departments significant space savings

Patient benefits

- patient safety -no patient transfers
- minimize the risk for hospital bacteria
- faster recovery
- less influence on daily life

Nurse benefits

- no lifting of the patient (patient stays on the same trolley the whole procedure)
- Rapido is stable yet light to transport
- easy configuration for the table
- no lifting for heavy table top sections

Post-operative care

- Faster recovery due to minimized anaesthesia
- Rapido is compact in size -> more trolleys fit in the recovery room than beds



Divided leg section 1000 18261



Gyn/Uro extension 1000 18153



Light foot rest 1000 18001



The swing-down, detachable side rails, chromed or epoxy coated
Order no: 1000 18173 chromed, 1000 18174 epoxy coated



X-ray cassette tray
1000 18126



Bowl (6 l)
with drainage 100 201572
without drainage 100 201571



Wire utility basket for utilities
1000 18183



Oxygen bottle holder
2 l 1000 18188
5 l 1000 18189



paper roll holder for Rapido 18572



push bars to foot end 18168



Infusion rod 749, order no 1000 00749
Storage holder for infusion rod
order no 1000 18578

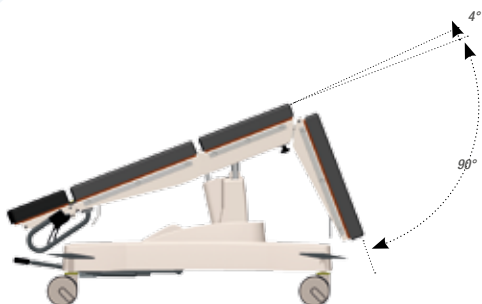
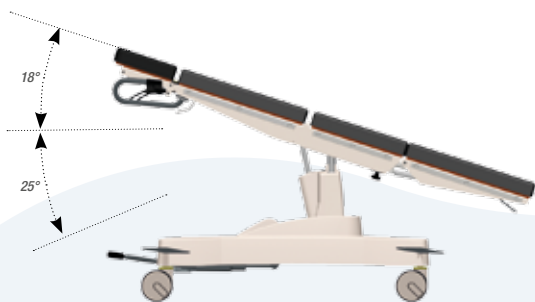
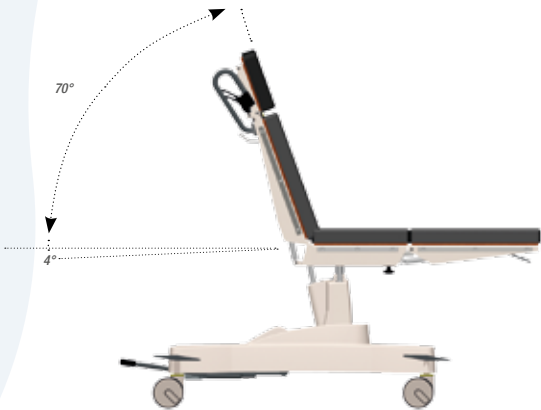
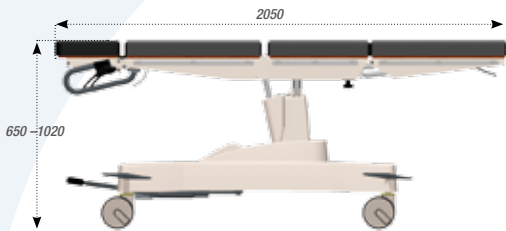
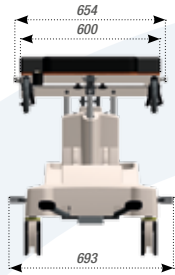


The specially contoured Merivaara ENT Head
Rest (18143)



Optional head rests include the Special Head
Rest for Ophthalmology (18151), with double-joint
mechanism

Separate brochure available for Merivaara Operating Table Accessories



DIMENSIONS

- length: 2050 mm
- width: 600 mm (mattress), total width 654 mm
- weight: 125 kg
- safe working load SWL: 160 kg

ADJUSTMENTS

- height 650–1020 mm, hydraulically with foot pedals
- lateral tilt $\pm 15^\circ$, gas spring-assisted
- back section $-4 \dots +70^\circ$, gas spring-assisted
- leg section $-90 \dots +4^\circ$, gas spring-assisted
- Trendelenburg -25° , anti-Trendelenburg $+18^\circ$, gas spring-assisted
- head rest $-40 \dots +25^\circ$

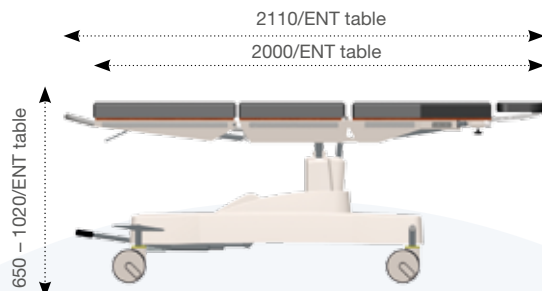
TABLE TOP/COLUMN/BASE

- 4 sections/5 sections (divided foot section)
- fixed back and seat sections
- leg and head sections detachable
- top plate of X-ray translucent high pressure laminate
- X-ray cassette rails along the full length of the surgical surface
- soft antistatic, 70 mm separate mattress set fixed to the table with velcro tapes
- accessory rails of stainless steel
- casings of shock-resistant ABS plastic
- antistatic castors $\varnothing 150$ mm, washable, swivelling twin-castors, central locking device pedal

Eye-ENT COMPARISON WITH STANDARD RAPIDO

- table top of 3 sections + head section (fixed foot section)
- length; mattress 2000 mm, total 2110 mm
- leg section $-50 \dots +4^\circ$, gas spring-assisted
- head rest $18150 -35 \dots +90^\circ$
- no lateral tilt

Warranty 3 years





MERIVAARA

Merivaara Corp.

Puustellintie 2, FI-15150 LAHTI, FINLAND
Tel. +358 3 3394 6111, fax +358 3 3394 6144
merivaara@merivaara.fi
www.merivaara.com