

Triaflex R96

Operating theatre light for small and medium-scale surgery using the R96 lighting system

A characteristic feature of the R96 lighting system developed by Dr. Mach is the hitherto unequalled colour rendering index of $R_a = 96$. This means: The light produces **natural** colours with **high contrast** levels. The area around the wound is shown in a **agreeable** light.

But in order to be able to recognize the various different **shades of red** around the wound, it is vital for the colour "red" to be rendered exactly. For the doctor, $R_9 > 90$ means that he can recognize the details of the wound area much better. Here, too, Dr. Mach plays a forward-looking role.

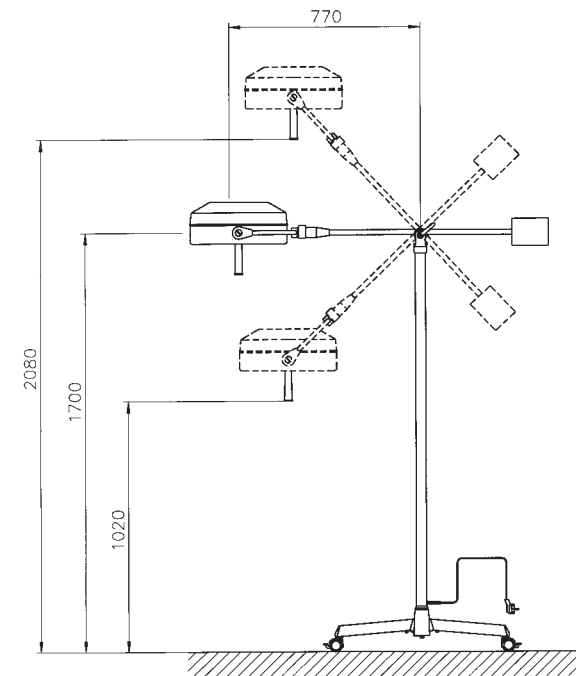
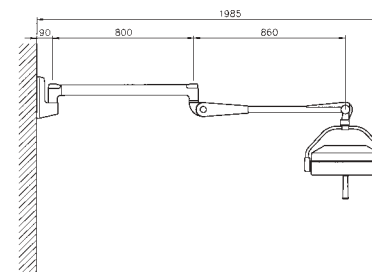
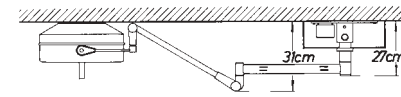
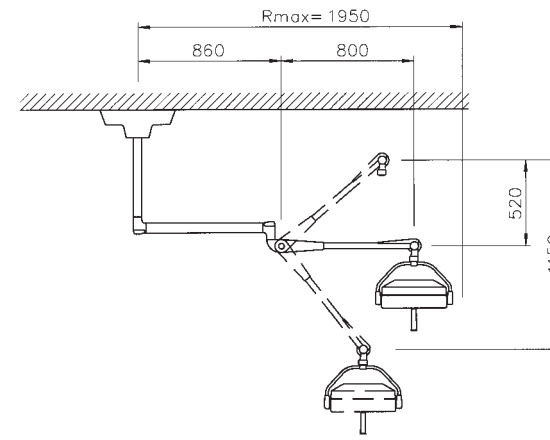
- Brightness control by two-step switch.
- Toroidal core transformer in the light head. Also available upon request with a separate transformer (no two-step switch in that case).
- Sterilizable handle.
- Fully cardanic suspension for a surcharge
Item No. 9000 1500 98
- Focusability as a feature included in the R96 lighting system. Available in the R86 lighting system upon payment of a surcharge
Item No. 9000 3001 30



Technical specifications	Triaflex R96	Triaflex
Light intensity	60,000 Lux	50,000 Lux
Colour rendering index R_a (generally)	96	86
Colour temperature	4300 K	4300 K
Light field	15 - 23 cm focusable	20 cm (focusing subject to surcharge)
Working area	70 - 140 cm	70 - 140 cm
Diameter of light head	40 cm	40 cm
Radiation on light field at 100,000 Lux	389 W/m ²	416 W/m ²
Temperature increase near head	2° C	2° C
Halogen bulb	3 x 22.8V 40W	3 x 22.8V 40W
Power consumption	120 W	120 W
Mains supply	230/250V 50/60 Hz	230/250V 50/60 Hz
Finish	clear white RAL 9010 matt	clear white RAL 9010 matt

Subject to technical amendments.

Dr. Mach



Ceiling model

Triaflex R96
Item No. 3002 3031 30
Triaflex
Item No. 3001 1031 30

Please state exact room height!

- Model combinations available with several light heads or appliance holders (upon request)
- Height adjustment: 115 cm
- Total weight for room height 3m: 22 kg

Inverse joint suspension for room heights of less than 2.50 m

Triaflex R96
Item No. 3002 3031 25
Triaflex
Item No. 3001 1031 25

Wall model

Triaflex R96
Item No. 3002 3021 00
Triaflex
Item No. 3001 1021 00

- Height adjustment: 115 cm
- Total weight: 15 kg

Stand model

Triaflex R96
Item No. 3002 3012 00
Triaflex
Item No. 3001 1012 00

- Transformer as counterweight
- Total weight: 15 kg



Accessories:

Halogen bulb 22.8/24V 40W
Additional sterilizable handle
Regulating transformer for brightness control
Break-make relay for stand-by power 24V 25A
Ceiling anchorage ring TK 270

Item No. 6710 0101
Item No. 2215 0001
Item No. 1500 9722 87
Item No. 1500 9410 00
Item No. 1500 0002 70



kooperatives Mitglied der ZMT Zentralvereinigung Medizin-Technik

www.dr-mach.de

5.000 - 01/03